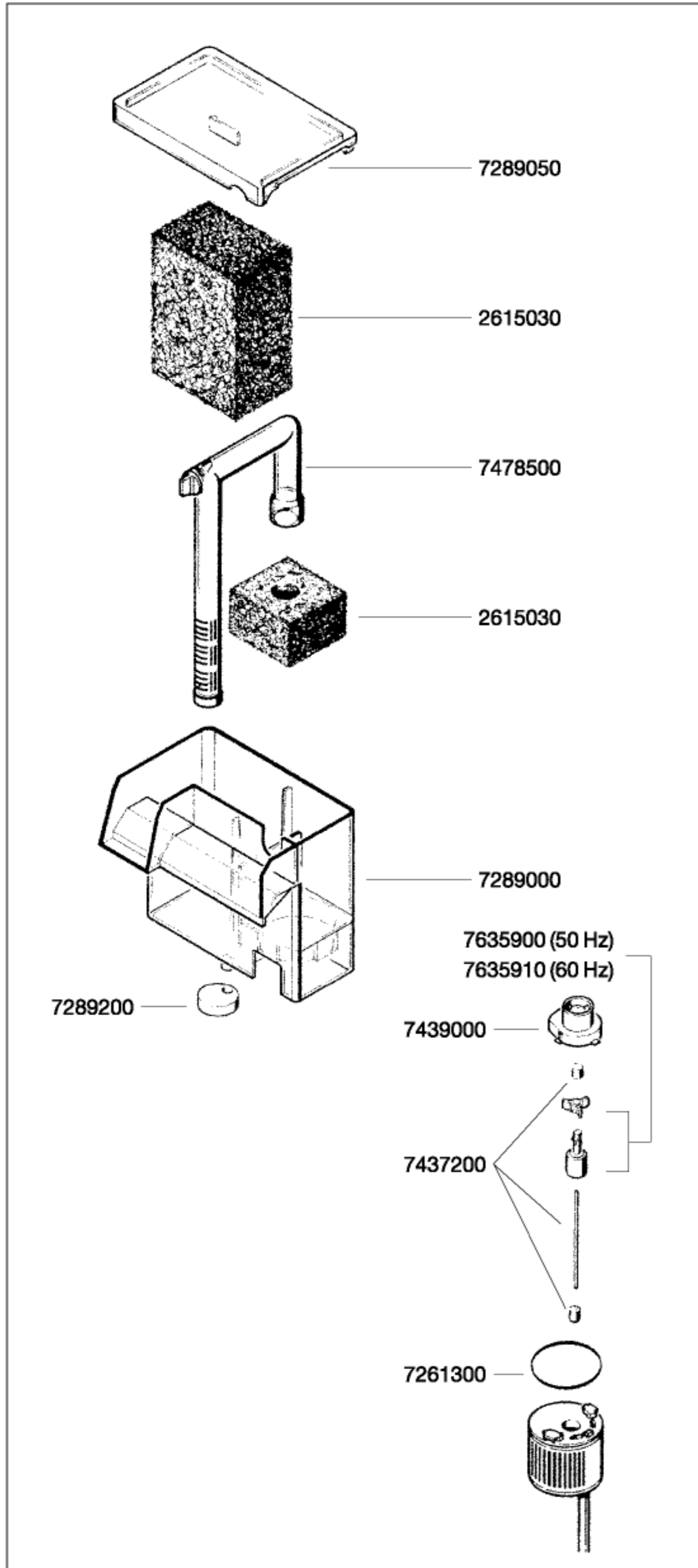


**1003 Centrifugal pump**  
**2003 External filter**



Type	230 V / 50 Hz	120 V / 60 Hz USA	240 V / 50 Hz GB	240 V / 50 Hz AUS	220 V / 60 Hz
<b>1003</b>	1003019	1003099	1003119	1003129	1003189
<b>2003</b>	2003020	2003390	2003510	2003540	2003630

Order no.	Spare part
1003	Centrifugal pump
2602030	Set of filter cartridges with activated carbon filling
2615030	Set of filter cartridges
4009550	Set of cleaning brushes (not shown)
7261300	O-ring (2 pieces)
7289000	Filter body
7289050	Cover
7289200	Distance holder for canister
7437200	Shaft and bushing set
7439000	Pump housing with bushing
7478500	Suction tube complete
7635900	Impeller (50 Hz)
7635910	Impeller (60 Hz)