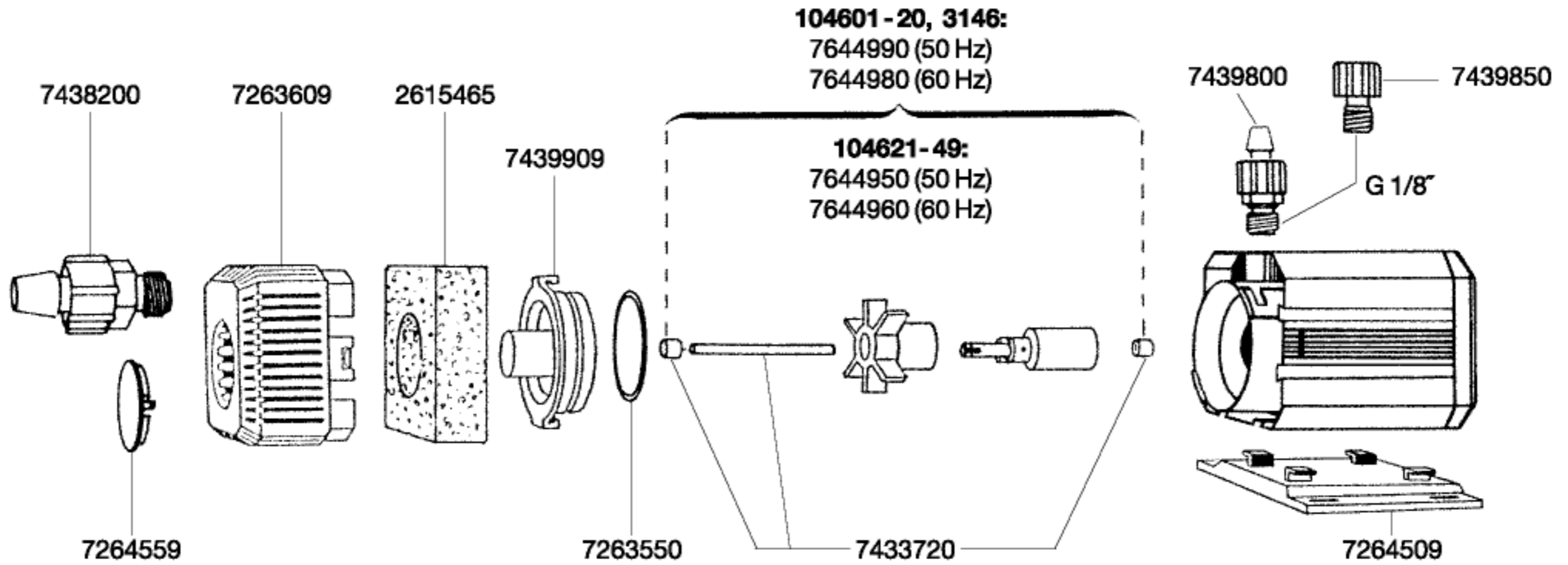


1046 Universal pump 3146 Fountain set



Type	230 V / 50 Hz	120 V / 60 Hz USA	240 V / 50 Hz GB	240 V / 50 Hz AUS	220 V / 60 Hz
1046	1046019	-	1046119	1046129	-
1046	1046219	1046319	-	-	-
3146	3146010	3146090	-	-	-

1046 / 3146



Order no.	Spare part
2615465	Coarse foam (2 pieces)
3052450	„Volcano“ double jet (not shown)
4009550	Set of cleaning brushes (not shown)
7263550	Sealing ring (2 pieces)
7263609	Intake screen
7264509	Mounting plate
7264559	Sealing cover

Order no.	Spare part
7433720	Shaft with bushings
7438200	Threaded connector suction side
7439800	Threading connector pressure side
7439850	Adapter with sealing ring
7439909	Pump cover
7644950	Impeller (50 Hz) complete with shaft and bushings for 104621 - 49
7644960	Impeller (60 Hz) complete with shaft and bushings for 104621 - 49
7644980	Impeller (60 Hz) complete with shaft and bushings for 104601 - 20, 3146
7644990	Impeller (50 Hz) complete with shaft and bushings for 104601 - 20, 3146