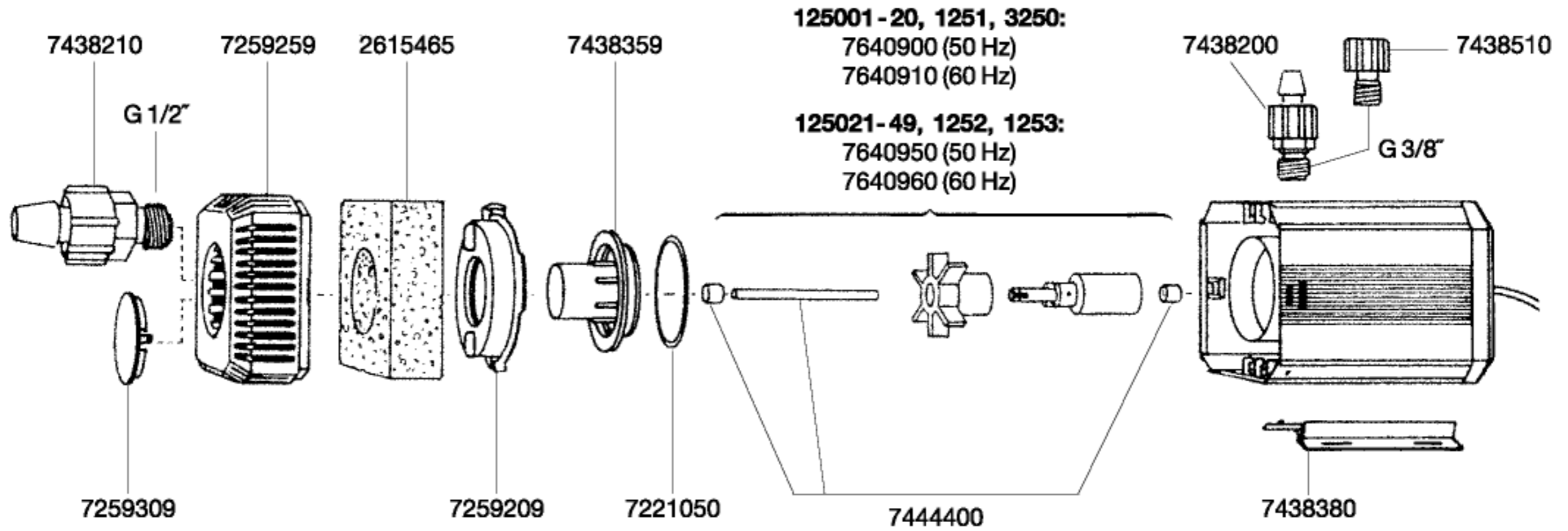


1250 Universal pump
1251 Pump for pond filter 3451
1253 Pump for external filter 2250
3250 Fountain set



Type	230 V / 50 Hz	120 V / 60 Hz USA	240 V / 50 Hz GB	240 V / 50 Hz AUS	220 V / 60 Hz
1250	1250019	1250099	1250119	1250129	1250189
1250	1250219	1250319	-	-	1250419
1251	1251019	1251099	1251119	-	-
1253	1253229	-	1253349	-	-
3250	3250010	3250090	-	-	-

1250/1251/1253/3250



Order no.	Spare part	1250 / 1251 / 1253 / 3250
2615500	Coarse foam (2 pieces)	
3052200	„Volcano“ double jet (not shown)	
4009570	Set of cleaning brushes (not shown)	
7221050	Sealing ring (2 pieces)	
7259209	Holding ring	
7259259	Intake screen	
7259309	Sealing cover	
7438200	Threaded connector pressure side	
7438210	Threaded connector suction side	

Order no.	Spare part	1250 / 1251 / 1253 / 3250
7438359	Pump cover	
7438380	Attachment sleeves	
7438510	Adapter and sealing ring	
7438559	Pump cover for pump 1251/1252	
7438390	Set of sealing rings (one each) for hose 17 x 2.5 and 14 x 2 (not shown)	
7444400	Set shaft with bushings	
7438380	Attachment sleeves left and right and 2 panels (only for 1252/2252)	
7640900	Impeller (50 Hz) complete with shaft and bushings for 125001 - 20, 1251, 3250	
7640910	Impeller (60 Hz) complete with shaft and bushings for 125001 - 20, 1251, 3250	
7640950	Impeller (50 Hz) complete with shaft and bushings for 125021 - 49, 1252, 1253	
7640960	Impeller (60 Hz) complete with shaft and bushings for 125021 - 49, 1252, 1253	